

# 518

## Off-line high-pressure cylinder valve

RPV / MPR – NEW IMPROVED DESIGN

### RPV / MPR WITH CONICAL SEALING SYSTEM:

1. Improved lifetime on the RPV unit, reducing maintenance costs
2. RPV noise level considerably reduced compared to competing products. This is achieved at all flow rates
3. Improved temperature range on the RPV seal (-40° C to + 140° C)
4. The RPV can withstand 60 blow downs at 300bar
5. The opening/closing pressure range is improved
6. The valve is oxygen pressure surge tested by BAM for WP 300bar
7. RPV unit can be replaced
8. Impact value of 400J / 111KG can be achieved with inlet thread 25ES

*The valve is manufactured in Denmark on state of the art manufacturing equipment, and the quality is monitored throughout the entire process. The valve is assembled on an automated assembly line and the valve is subjected to a 100% functional test. After passing all tests on the assembly line it is securely packed for shipping.*



**BAM Approved:** According to ISO 10297 & 15996

**Working pressure:** 300 bar & 200 bar

**Inlet connection:** 25E, 25ES, or other on request

**Inlet filter:** On request

**Outlet connection:** DS2404, DIN, NEN, AFNOR, UNI, NBN, CGA, BS, AS, ISO 5145 or other on request

**Dip Tube:** On request, M10x075, or other

**Anti dust tube:** On request

**Residual Pressure Valve / Minimum Pressure Retention:** 3 - 7.5 bar retain pressure

**Handwheel:** Plastic Ø58.5 or Ø65 and with logo on request. Aluminium handwheel is optional. Free spinning handwheel on request

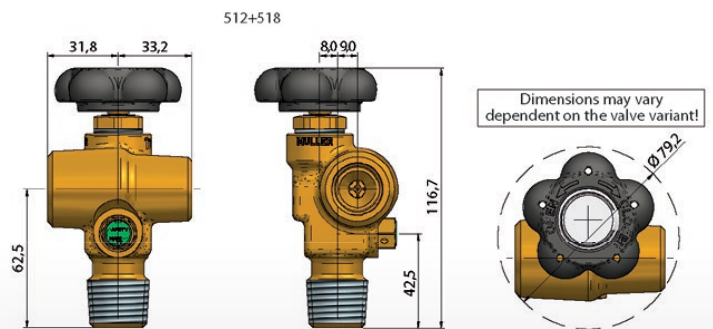
**Burst disc:** On request, according to CGA S 1.1

**Max flow:** On request

**Tape / Plastic protection cap:** On request

**Fusible element:** On request

**Surface treatment:** Chromium plating on request.



**Müller**  
GAS EQUIPMENT A/S

Müller Gas Equipment A/S

Mommarkvej 7-11 · Vollerup · DK-6400 Sønderborg

Telefon: +45 73 42 12 12 · Fax: +45 73 42 12 07 · email: info@bmv.dk · [www.bmv.dk](http://www.bmv.dk)

**GL** ISO 9001  
GL Systems Certification



EC Type-Examinations and QS Certification by:

**BAM**  
BAM-TPED-QS-2009/001

# 512

## Off-line high-pressure cylinder valve

RPV / MPR STANDARD DESIGN

### RPV / MPR:

1. The valve is oxygen pressure surge tested by BAM for WP 300bar
2. Reliable opening/closing setting of the RPV function
3. Minimum Pressure Retention: 3 - 7.5 bar
4. Approved for -40 C
5. The distance from the sealingface to the tip of the pin can be customised
6. Impact value of 400J / 111KG can be achieved with inlet thread 25ES.
7. RPV unit can be replaced.

*The valve is manufactured in Denmark on state of the art manufacturing equipment, and the quality is monitored throughout the entire process. The valve is assembled on an automated assembly line and the valve is subjected to a 100% functional test. After passing all tests on the assembly line it is securely packed for shipping.*



**BAM Approved:** According to ISO 10297 & 15996

**Working pressure:** 300 bar & 200 bar

**Inlet connection:** 25E, 25ES, or other on request

**Inlet filter:** On request

**Outlet connection:** DS2404, DIN, NEN, AFNOR, UNI, NBN, CGA, BS, AS, ISO 5145 or other on request

**Dip Tube:** On request, M10x075, or other

**Anti dust tube:** On request

**Residual Pressure Valve / Minimum Pressure Retention:** 3 - 7.5 bar retain pressure

**Handwheel:** Plastic Ø58.5 or Ø65 and with logo on request. Aluminium handwheel is optional. Free spinning handwheel on request

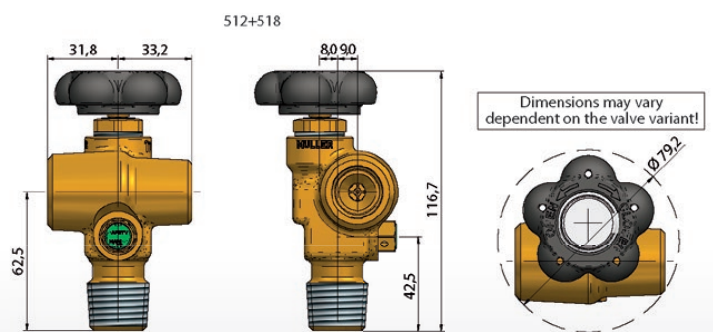
**Burst disc:** On request, according to CGA S 1.1

**Max flow:** On request

**Tape / Plastic protection cap:** On request

**Fusible element:** On request

**Surface treatment:** Chromium plating on request.



**Müller**  
GAS EQUIPMENT A/S

Müller Gas Equipment A/S

Mommarkvej 7-11 · Vollerup · DK-6400 Sønderborg

Telefon: +45 73 42 12 12 · Fax: +45 73 42 12 07 · email: info@bmv.dk · [www.bmv.dk](http://www.bmv.dk)

**GL** ISO 9001  
GL Systems Certification



EC Type-Examinations and QS Certification by:



BAM-TPED-QS-2009/001